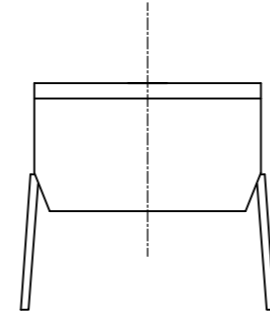
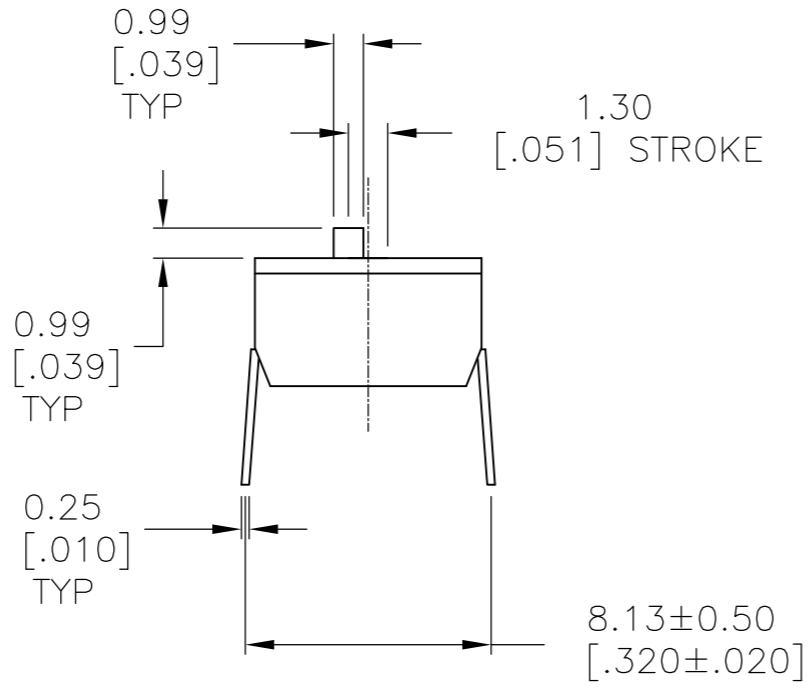
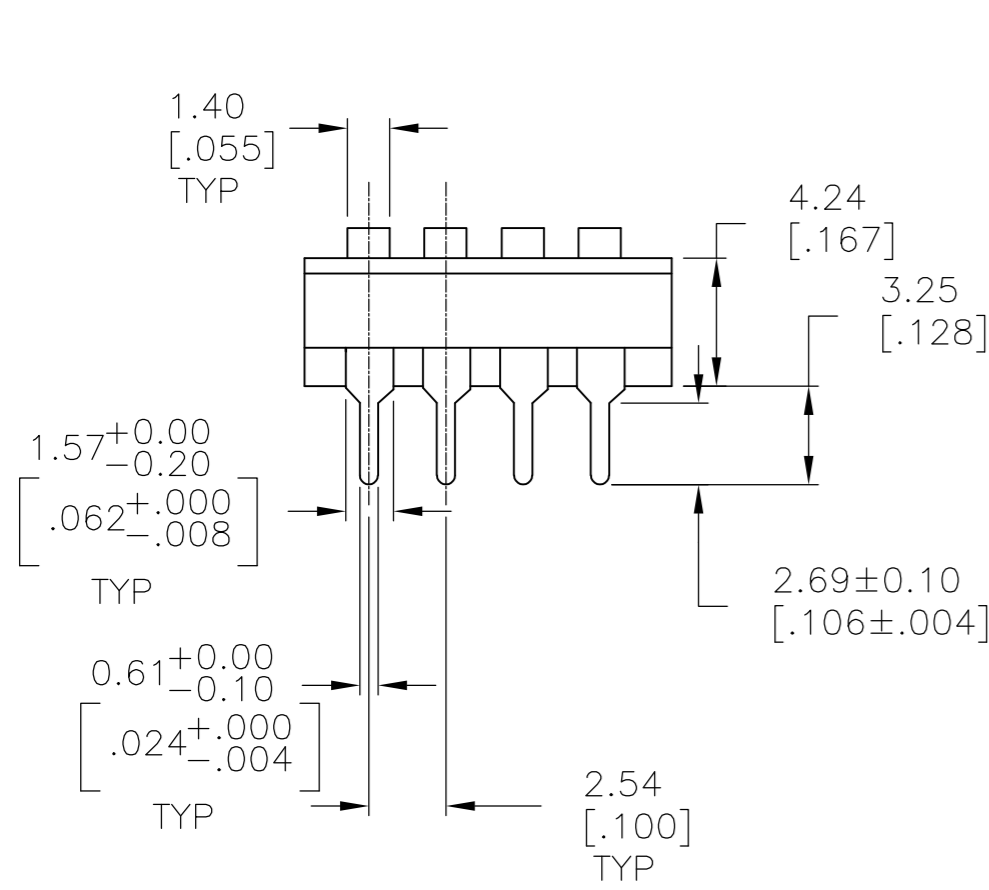
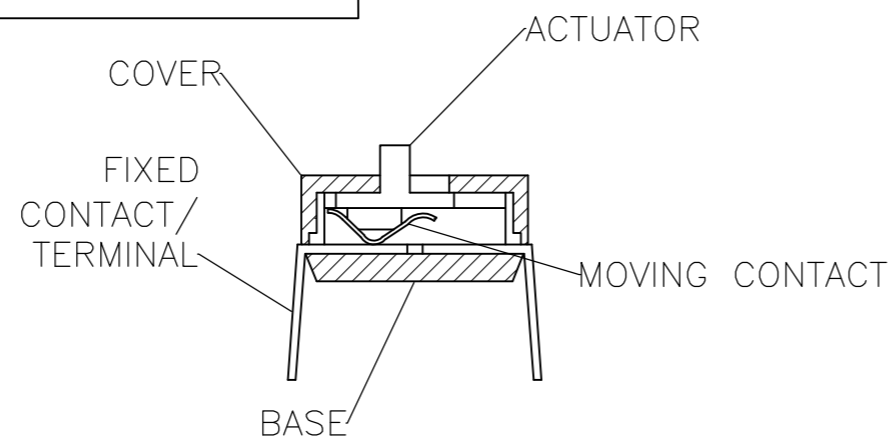
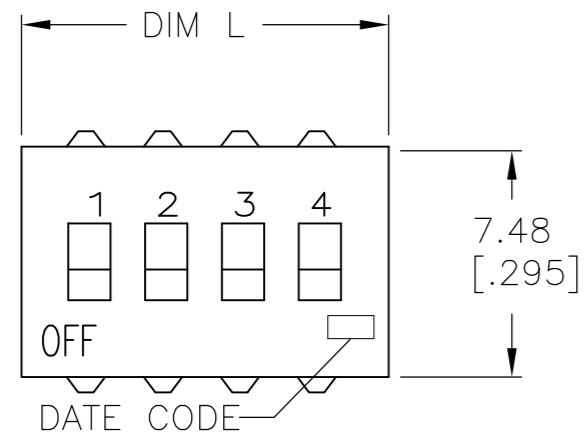


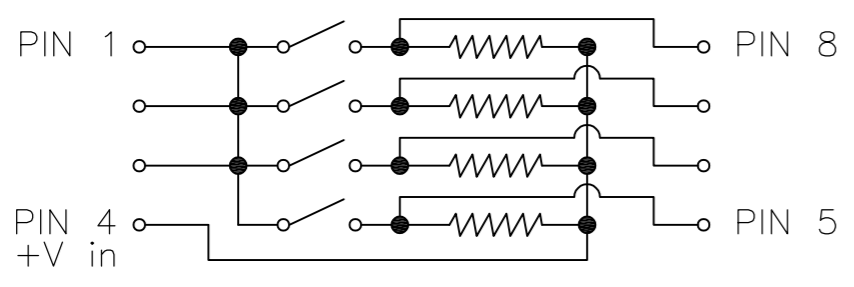
THIS DRAWING IS UNPUBLISHED. RELEASED FOR PUBLICATION
 © COPYRIGHT BY TYCO ELECTRONICS CORPORATION. ALL RIGHTS RESERVED.

LOC	DIST	REVISIONS			
P	LTR	DESCRIPTION	DATE	DWN	APVD
AD	00				
	C	ECO-07-3389	12FEB07	MB	MS
	C1	REVISED PER ECO-09-024927	07NOV09	KK	AEG



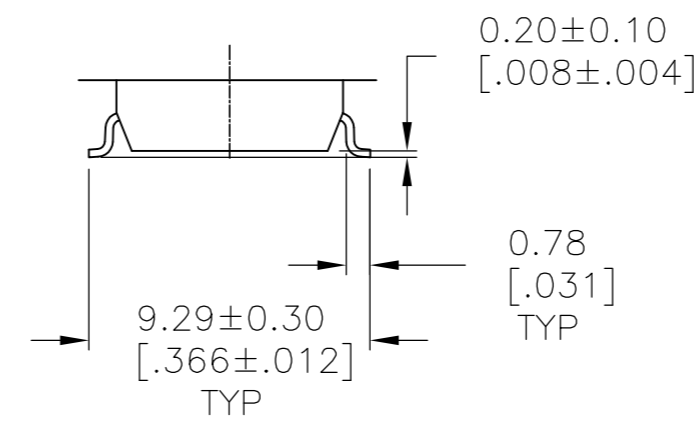
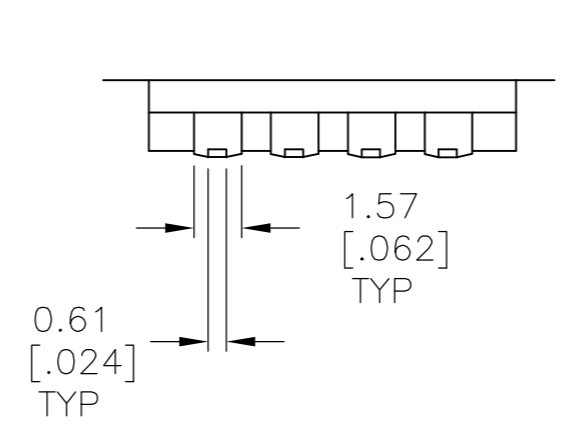
ARE

ARF



ELECTRICAL SCHEMATIC
ARF SERIES ONLY

RATED POWER	RESISTANCE	TOLERANCE	MAX VOLTAGE
125mW	3.3KΩ (RED) 10KΩ (GREEN)	±5% @ 85°C	24V



SURFACE MOUNT

Material
 Base, PPS UL94V-0, BLACK
 Cover, PPS UL94V-0, BLACK
 Actuator, PA6T UL94V-0, WHITE
 Fixed Contact/Terminal, Cu Alloy, Plate- Gold/Nickel
 Moving Contact, Cu Alloy, Plate-Gold/Nickel

Electrical
 Contact rating switching, .4VA @ 20V DC
 Initial contact resistance, 50 milliohms max.
 Insulation Resistance, 100 Megohms min. @ 100 VDC
 Dielectric strength, 500 VAC RMS @ Sea level
 Life, 5,000 cycles

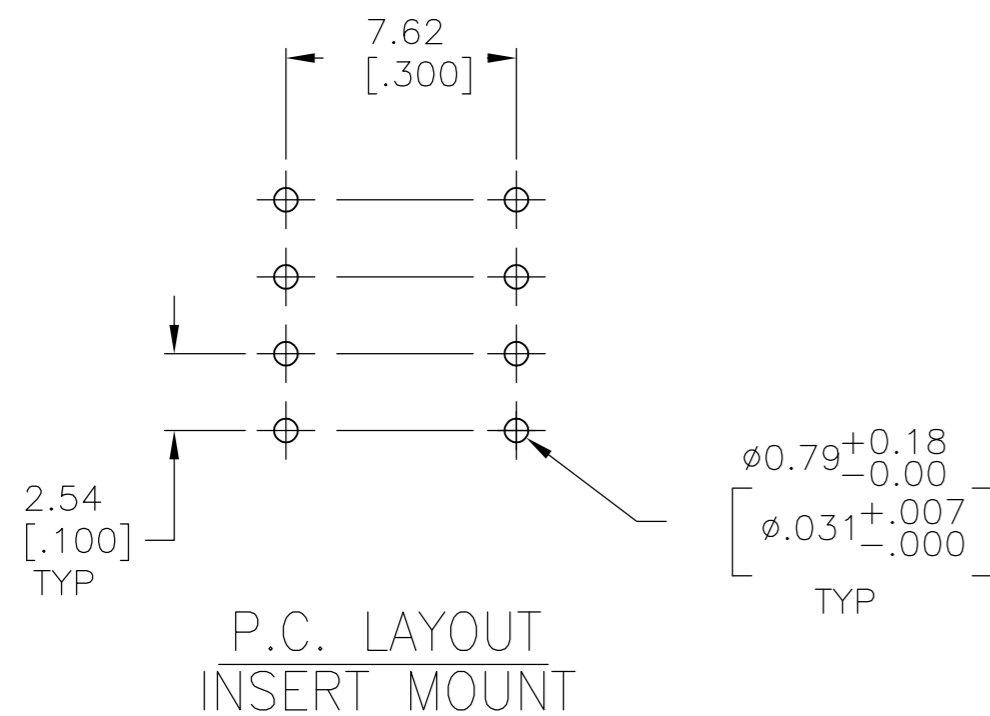
Mechanical
 Operating force, Less than 800 grams
 Travel, .051

Environmental
 Operating Temperature, -30 to +85 degrees C
 Storage Temperature, -45 to + 100 degrees C
 Cleaning, Aqueous or solvent
 Solder heat resistance, 265 degrees C +/- 3 degrees C within 8 seconds +/- 2 seconds
 Solderability per JIS-C-0050 & JIS-C-00053

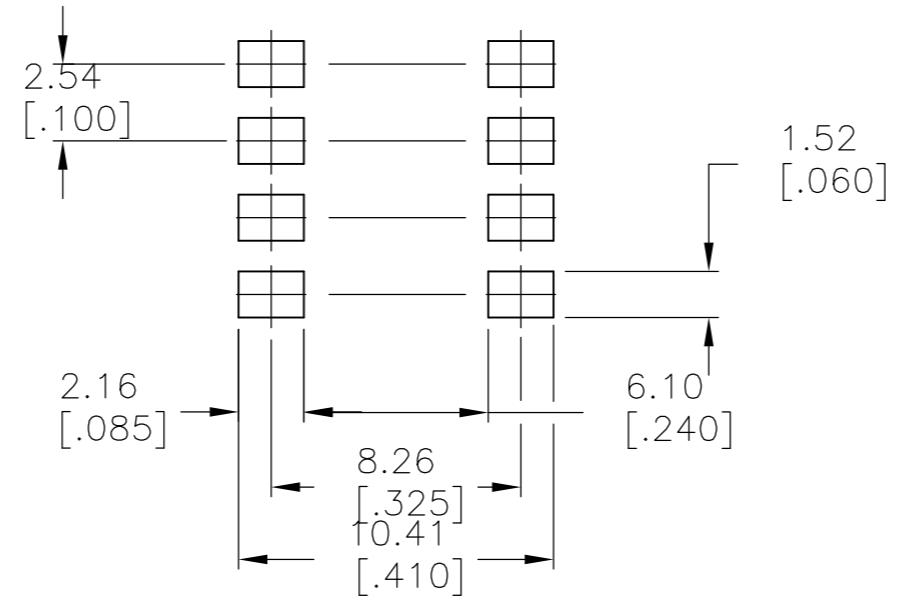
Notes

- ALL MATERIALS AND FINISHES SHALL COMPLY WITH EU DIRECTIVE 2002/95/EC OF 27JAN2003 (ROHS)
 - SWITCHES TO HAVE WHITE ACTUATORS AND MARKINGS
 - SWITCHES SUPPLIED IN THE "OFF" POSITION AND PACKAGED IN CLEAR TUBES TO ACCOMMODATE AUTO-INSERTION
- 4 SURFACE MOUNT
 5 OBSOLETE PARTS: OBSOLETE CIS STREAMLINING PER D.RENAUD/D.SINISI

	DIM L	POLES	T&B P/N	PART NUMBER
OBSOLETE 5	22.30[.878]	8	ARF083.3K04	1-1825428-2
	22.30[.878]	8	ARF0810KT04	1-1825428-1
	1214[.478]	4	ARF043.3KT04	1-1825428-0
	1214[.478]	4	ARF043.3K04	1825428-9
	7.06[.278]	2	ARF023.3K04	1825428-8
	22.30[.878]	8	ARE0810KS04	1825428-7
	22.30[.878]	8	ARE0810K04	1825428-6
5 OBSOLETE	1214[.478]	4	ARE043.3K04	1825428-5
	22.30[.878]	8	ARF0810K04	1825428-4
5 OBSOLETE	1214[.478]	4	ARF0410K04	1825428-3
	27.38[1.078]	10	ARE103.3K04	1825428-2
	22.30[.878]	8	ARE083.3K04	1825428-1



P.C. LAYOUT
INSERT MOUNT



RECOMMENDED BOARD LAYOUT

THIS DRAWING IS A CONTROLLED DOCUMENT.		DWN M.BINNER 27MAR06	Tyco Electronics Corporation Harrisburg, PA 17105-3608	
DIMENSIONS: mm [INCHES]		CHK M SARVER 15FEB05	NAME DIP SWITCH, ARE/F SERIES	
TOLERANCES UNLESS OTHERWISE SPECIFIED:		APVD M SARVER 15FEB05	PRODUCT SPEC	
0 PLC ± -	1 PLC ± -	APPLICATION SPEC		
2 PLC ± 0.30[.012]	3 PLC ± -	WEIGHT -		
4 PLC ± -	ANGLES ± -	SCALE A2 00779 C=1825428		
MATERIAL -		FINISH -		RESTRICTED TO -
CUSTOMER DRAWING		SCALE 4:1	SHEET 1 of 1	REV C1

1825428

A